

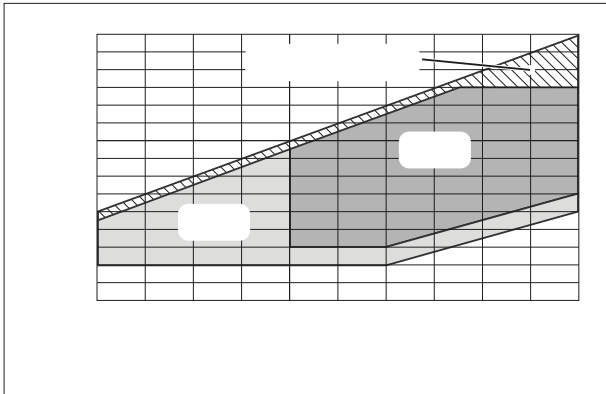
DRYCAP® 180D

2

- 70 ... +60 °C T_d

N₂¹⁾

± 2 °C T_d



1 - 80 ... +20 °C T_d

2 - 80 ... +20 °C T_d

3

63% [90%]²⁾

- 70 - 20 °C T_d (- 94 - 4 °F T_d) 5 s [15 s]

- 20 - 70 °C T_d 45 s [10 min]

(ppm)

10 ... 40000 ppm

+20 °C 1 bar 1 ppm + 20%

1) 0 °C
2) +20 °C 1 bar 1 /

1)

2) - 40 ... +60 °C

0 ... 100% RH

2) 0 ... 50 bar_a

- 40 ... +60 °C

1) 0 °C
2) 20 bar_a 24 ... 28 VDC

4 ... 20 mA 3
0 ... 1 V / 5 V 1 ... 5 V

0.002 mA

0.3 mV

+20 °C ± 0.05 mA

+20 °C ± 0.01 V

12 ... 28 VDC

12 ... 28 VDC

18 ... 28 VDC

500

10k

0.005% / °C

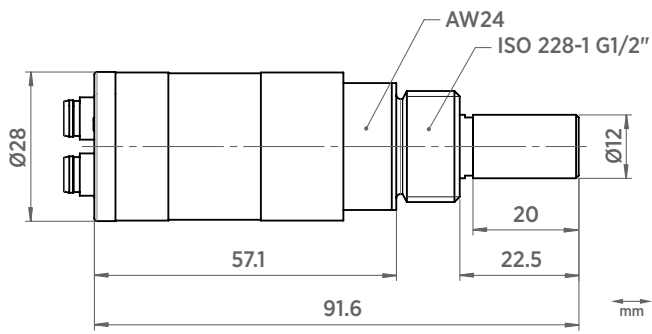
RS-485

Modbus RTU

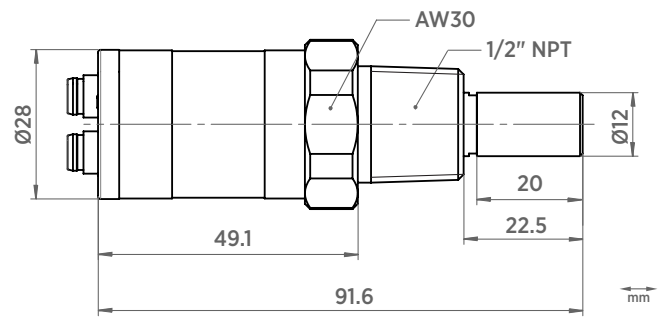
4 MB (IEC 60947-5-2)

+20 °C (U_{in} 24 VDC)

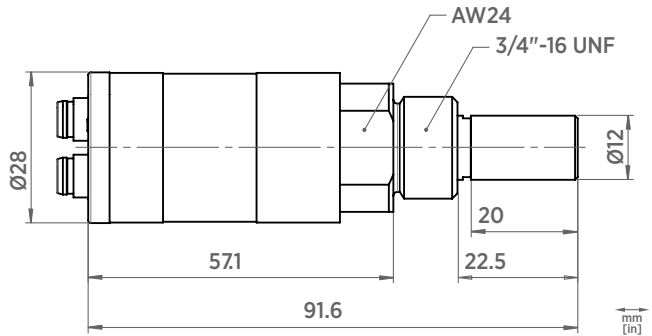
10 mA +



DMT143 ISO 228-1 G1/2"



DMT143 1/2" NPT



DMT143 3/4"-16 UNF

DMT143 5/8"-18 UNF

