



### 特性

- 0 ... 20% CO<sub>2</sub>
- Indigo Insight
- (-40 ... +60 °C)
- IP65
- CO<sub>2</sub>
- Indigo Insight RFL100

CARBOCAP®

GMP251

### 优点

- 
- 
- 

### 使用简单

GMP251

### 应用

GMP251

CO<sub>2</sub>

Modbus®

RS-485

GMP251

CARBOCAP

(IR)

GMP251

Indigo

1)

[www.vaisala.com/indigo](http://www.vaisala.com/indigo)

GMP251

GMP251

indigo

CO<sub>2</sub>

0 ... 20% CO<sub>2</sub>

5% CO<sub>2</sub>

Insight PC

[www.vaisala.com/insight](http://www.vaisala.com/insight)

(- 40 ... +60 °C)

IP65

GMP251

H<sub>2</sub>O<sub>2</sub>

## 测量性能

	0... 20% CO <sub>2</sub>
<b>准确度 1)</b>	
5% CO <sub>2</sub>	± 0.1% CO <sub>2</sub>
0... 8% CO <sub>2</sub>	± 0.2% CO <sub>2</sub>
8... 20% CO <sub>2</sub>	± 0.4% CO <sub>2</sub>
<b>校准不确定性</b>	
5% CO <sub>2</sub>	± 0.07% CO <sub>2</sub>
20% CO <sub>2</sub>	± 0.27% CO <sub>2</sub>
<b>长期稳定性</b>	
0... 8% CO <sub>2</sub>	± 0.3% CO <sub>2</sub> /
8... 12% CO <sub>2</sub>	± 0.5% CO <sub>2</sub> /
12... 20% CO <sub>2</sub>	± 1.0% CO <sub>2</sub> /
<b>温度系数</b>	
5% CO <sub>2</sub> 0... +50 °C	< ± 0.05% CO <sub>2</sub>
0... 20% CO <sub>2</sub> -40... +60 °C	± 0.045% /°C
5% CO <sub>2</sub>	-0.25% /°C
<b>压力依存性</b>	
5% CO <sub>2</sub> 700... 1100 hPa	± 0.05% CO <sub>2</sub>
0... 20% CO <sub>2</sub> 500... 1200 hPa	± 0.015% /hPa
	+0.15% /hPa
<b>湿度依赖性</b>	
0... 20% CO <sub>2</sub> , 0... 100% RH	± 0.7% +25 °C
	+0.05% /% RH
<b>O<sub>2</sub> 依赖性</b>	
0... 20% CO <sub>2</sub> , 0... 90% O <sub>2</sub>	± 0.6% +25 °C
	-0.08% /% O <sub>2</sub>
<b>启动、预热和响应时间</b>	
+25 °C	< 10s
	< 4 min
(T90)	< 1 min
> 0.1 l/min	< 1 min
	< 2 min
<b>流量依赖性 (流通选件)</b>	
< 1 l/	
1... 10 l/	< 0.6% /l/min
1) 25 °C 1013 hPa	

## 合规性

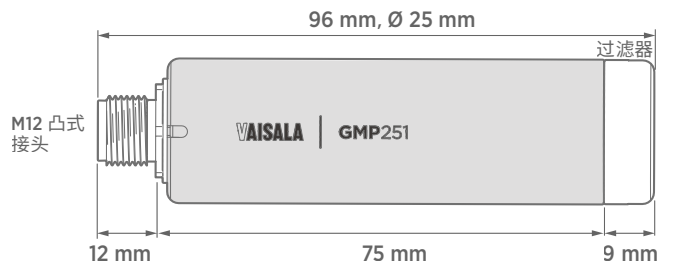
	EMC, RoHS
EMC	EN 61326-1
	CE, RCM

## 工作环境

CO <sub>2</sub>	- 40... +60 °C 1)
	- 40... +70 °C
	0... 100% RH
IP	IP65
	• H <sub>2</sub> O <sub>2</sub> 2000 ppm
	•
	•
<b>压力</b>	
	500... 1100 hPa
	< 1.5 bar
<b>气流 (流通选件)</b>	
	< 10 l/min
	0.1... 0.8 l/min
1)	+60 °C +90 °C

## 机械规范

	45 g
	M12 5-pin
<b>材料</b>	
	PBT
	PTFE PBT
<b>尺寸</b>	
	25 mm
	96 mm



GMP251

## 输入和输出

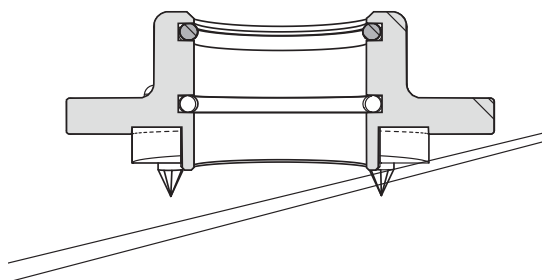
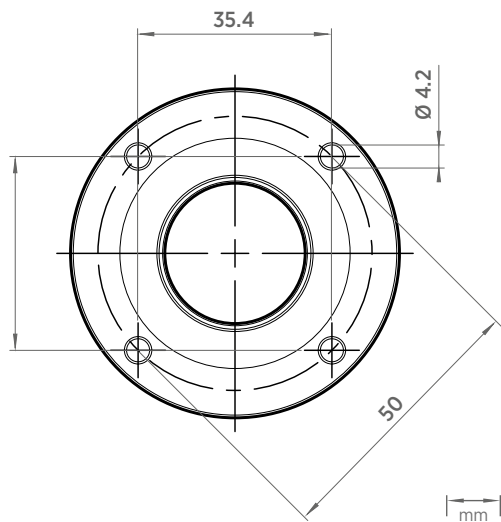
- 0... 5/10V  
10k
- 0/4... 20mA  
500

	RS-485
	• Modbus
	•
<b>工作电压</b>	12... 30VDC
	12... 30VDC
	20... 30VDC
<b>功耗</b>	0.4 W
	0.5 W

## 备件和配件

		ASM211650SP
PTFE		DRW243649SP
(1.5 m)		223263SP
(1.5 m)		254294SP
(3 m)		26719SP
(10 m)		216546SP
90°	(0.6 m)	244669SP
90°	(1.5 m)	255102
		ASM211697SP
Indigo USB	1)	USB2
M170		CBL210472
GMP250	M12.5	CBL210493SP
	2	243257SP
		243261SP
		DRW244827SP
		ASM212017SP

1) Windows Insight [www.vaisala.com/insight](http://www.vaisala.com/insight)



4 mm