



- 
- $\pm 3.0\%RH$
- 0 ... 100%RH
- 
- INTERCAP®
- UL-V0
- 

HMDW80  
HMDW80

INTERCAP®

- 
- 
- 
- 

HMDW80

HMDW80

IP65

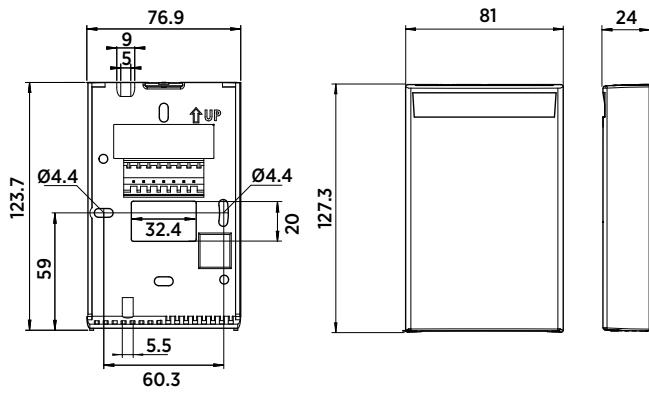
HMDW80  
INTERCAP®

IP

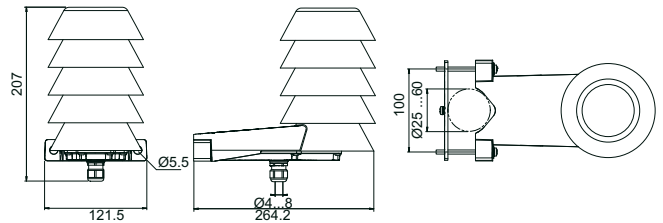
TMW82	2		IP 30
HMM82	2		IP 30
HMM82P100	2	Pt100	IP 30
HMM83	3		IP 30
TMW88	2		IP 65
HMM88	2	1)	IP 65
HMM88D	2	1)	IP 65
HMM89	3	1)	IP 65
HMM89D	3	1)	IP 65
TMD82	2		IP 65
HMD82	2	1)	IP 65
HMD82D	2	1)	IP 65
HMD83	3	1)	IP 65
HMD83D	3	1)	IP 65
HMS82	2	1)	IP 65
HMS82C	2	NPT ½" HMS82 <sup>1)</sup>	IP 65
HMS83	3	1)	IP 65
HMS83C	3	NPT ½" HMS83 <sup>1)</sup>	IP 65
TMS82	2		IP 65

1)

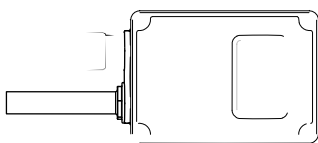
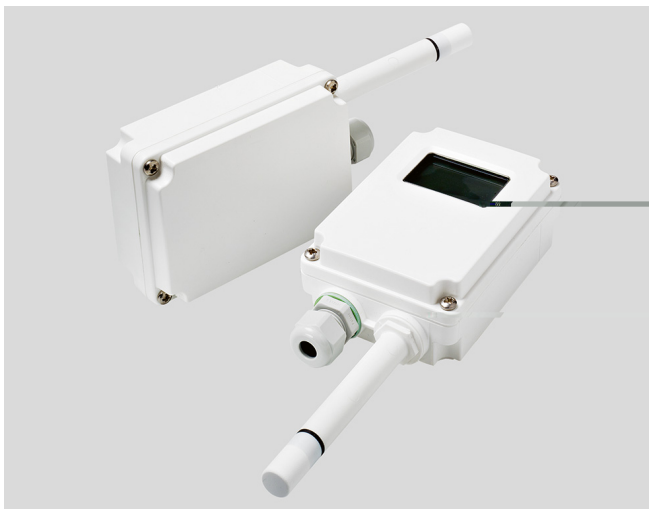
TMW82 HMW82/83



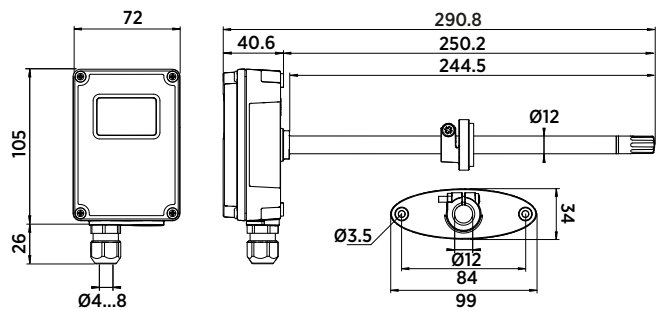
TMS82 HMS82/83



TMW88 HMW88/89(D)



TMD82 HMD82/83(D)



## HMW82/83 TMW82

	0... 100%RH
+10... +30°C	± 3%RH (0... 70%RH) ± 5%RH (70... 100%RH)
- 5... +10°C +30... +55°C	± 7%RH (0... 100%RH)
	± 2% 2
	INTERCAP®
	- 5... +55°C
+10... +30°C	± 0.5°C
- 5... +10°C +30... +55°C	± 1.0°C
HMW82P100	Pt100F 0.1 IEC 60751 3

## HMD82/83D HMW88/89D

	0... 100%RH
+10... +30°C	± 3%RH (0... 90%RH) ± 5%RH (90... 100%RH)
- 5... +10°C +30... +60°C	± 5%RH (0... 90%RH) ± 7%RH (90... 100%RH)
	± 2% 2
	INTERCAP®
	- 40... +60°C
+20°C	± 0.3°C
	± 0.01 °C/°C
	Pt1000RTD FO.1 IEC 60751
	- 40... +60°C
	- 40... 460kJ/kg

## HMD82/83 TMD82 HMW88/89 TMW88 HMS82/83 TMS82

	0... 100%RH
+10... +30°C	± 3%RH (0... 90%RH) ± 5%RH (90... 100%RH)
- 20... +10°C +30... +60°C	± 5%RH (0... 90%RH) ± 7%RH (90... 100%RH)
- 40... - 20°C	± 7%RH (0... 100%RH)
	± 2% 2
	INTERCAP®
	- 40... +60°C
+20°C	± 0.3°C
	± 0.01 °C/°C
	Pt1000RTD FO.1 IEC 60751
	- 40... +60°C
	- 40... 460kJ/kg
/	30 /
	- 40... +60°C
EMC	EN61326-1
HMW82/83 TMW82	- 5... +55°C
HMD82/83 TMD82 HMW88/89 TMW88 HMS82/83 TMS82	- 40... +60°C
HMD82/83D HMW88/89D	- 5... +60°C
HMD82/83 TMD82 HMW88/89 TMW88 HMS82/83 TMS82	0... 100%RH
HMD82/83 TMW82 HMD82/83D HMW88/89D	0... 100%RH

2	4... 20mA
	0... 600
	20... 28VDC 600 10... 28VDC 0
3	0... 10V
	10k
	18... 35VDC 24 VAC ± 20% 50/60Hz
	1.5mm <sup>2</sup> (RAL9003)
HMW82/83 TMW82	ABS/PC UL-V0
HMD82/83(D) HMD82/83(D) TMW88 TMD82 HMS82/83 TMS82	PC + 10%GF UL-V0
INTERCAP	15778HM
10 INTERCAP	INTERCAPSET-10PCS
+ O (M16× 1.5/NPT ½" )	210675SP
+ O M16× 1.5/PG9 RE-MS	210674SP
HMS80	237805
PTFE	DRW239993SP
	ASM210856SP
	236620SP
HMD80	ASM210793SP

