



-
-
-
- 0... 100% RH -40... +80 °C
- M8
- IP65
- RS-485
- Modbus RTU
- ± 1.5% RH
- 0... 90% RH

HMP110

HMP110

- HUMICAP®
- 180R
- HMP110R
-
-

HMP110

HMP110

IP65

HUMICAP® 180R

HMP110

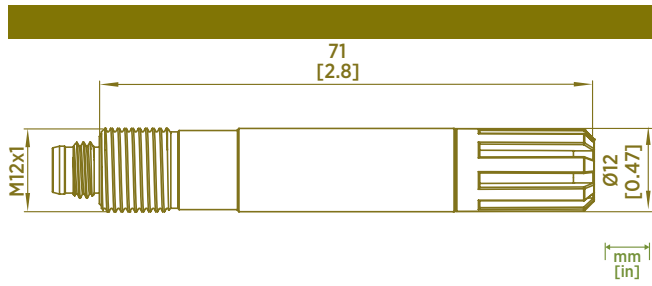
HMP110

Modbus

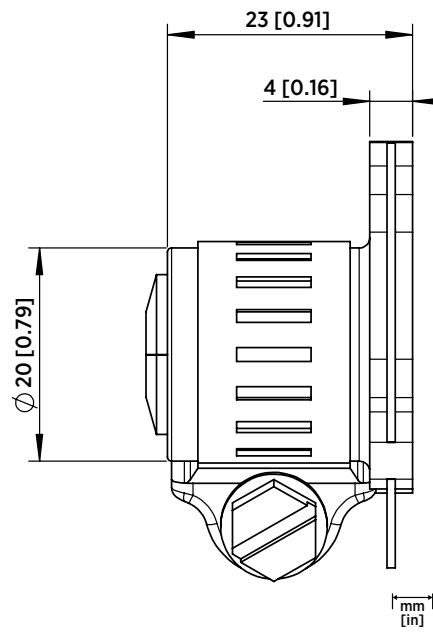
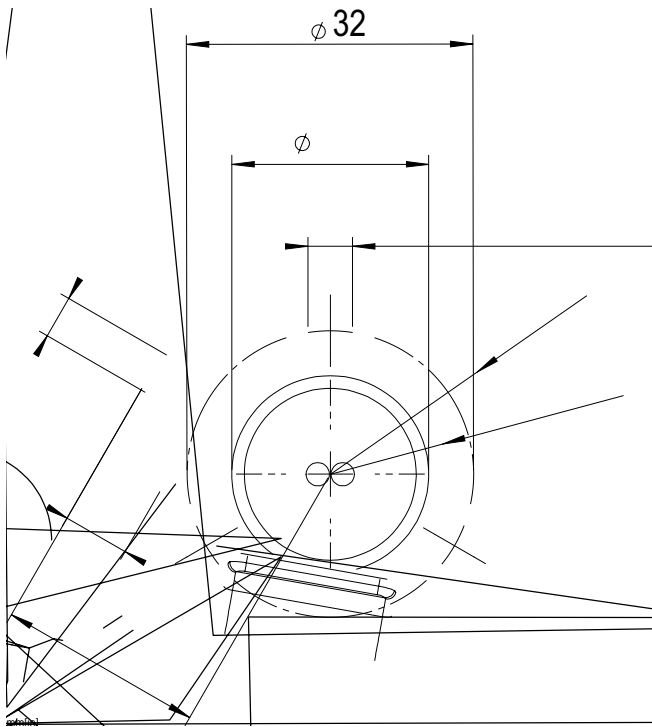
HMP110R

RS-485

	0 ... 100%RH
1)2)	
0 ... +40 °C	± 1.5% RH (0 ... 90% RH) ± 2.5% RH (90 ... 100% RH)
- 40 ... 0 °C, +40 ... +80 °C	± 3.0% RH (0 ... 90% RH) ± 4.0% RH (90 ... 100% RH)
+20 °C	± 1.1% RH (0 ... 90% RH) ± 1.8% RH (90 ... 100% RH)
	HUMICAP® 180R HUMICAP® 180V
	± 2% 2
	- 40 ... +80 °C
0 ... +40 °C	± 0.2 °C
- 40 ... 0 °C, +40 ... +80 °C	± 0.4 °C
+15 ... +25 °C	± 0.1 °C
0 ... +15 °C, +25 ... +40 °C	± 0.15 °C
- 40 ... 0 °C, +40 ... +80 °C	± 0.4 °C
	Pt1000RTD F0.1 IEC 60751
	- 40 ... +80 °C
	- 40 ... +80 °C
	- 40 ... 1540 kJ/kg
20 °C 80%RH	1)
0 ... +40 °C	
• < +15 °C	± 1 °C
• +15 ... +25 °C	± 2 °C
- 40 ... 0 °C, +40 ... +80 °C	± 2 °C
• < +15 °C ³⁾	
0 ... +40 °C (0 ... 90%RH)	± 0.4 °C ± 0.3 °C
+15 ... +25 °C (0 ... 90%RH)	± 1.2 kJ/kg ± 0.9 kJ/kg
+20 °C	± 0.2 % ± 0.01 % / °C
1)	
2)	HUMICAP® 180V
3)	= - 20 °C
IP	IP65
	M12x1 / 10mm
	M8 4 (IEC 60947-5-2)
	(AISI 316)
	ABS
	FEP
	17 g
0.3m	28 g



HMP110



CE

VA A A